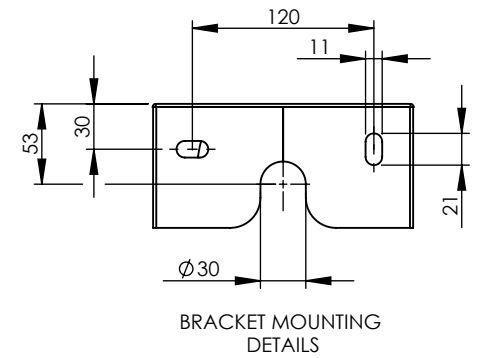
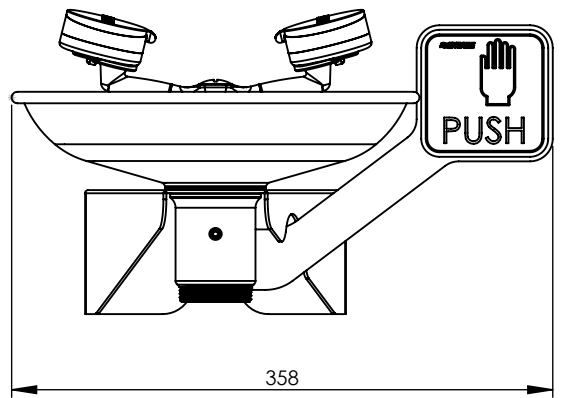
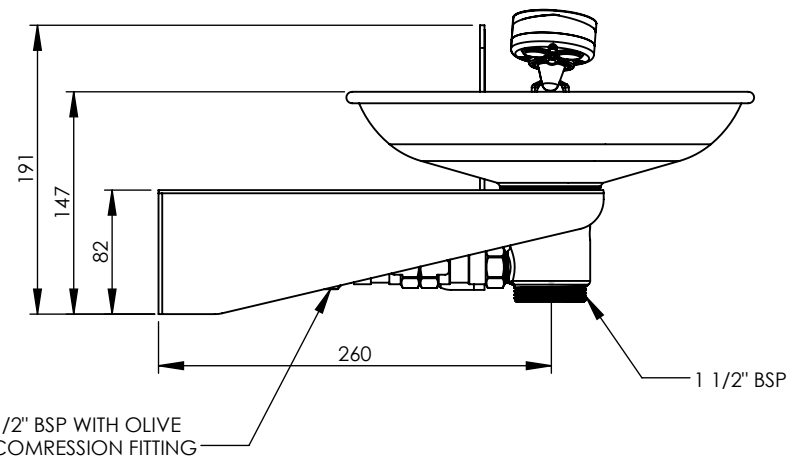
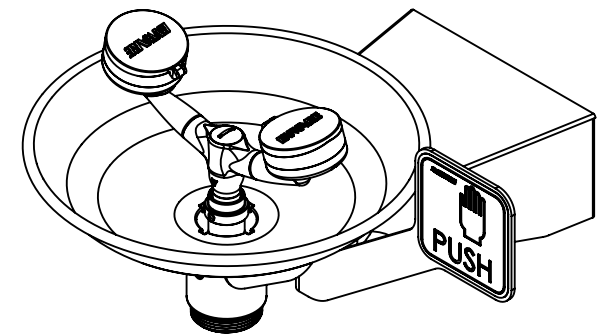
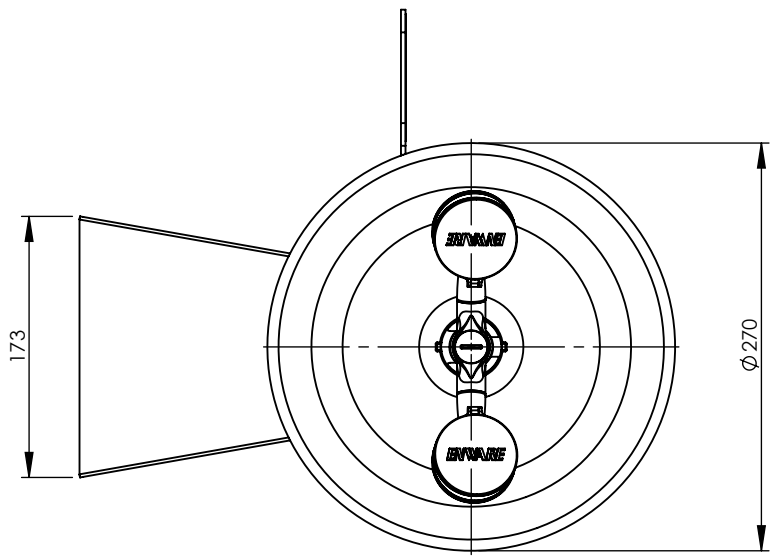


A

B

C

D



1/2" BSP WITH OLIVE COMPRESSION FITTING

1 1/2" BSP

358



**GENERAL NOTES:**  
 - DIMENSIONS ARE IN mm's  
 - DO NOT SCALE OFF DIMENSIONS  
 - TAPWARE TOLERANCE / 2 (EXCEPT WHERE STATED )  
 - SAFETY SANITARY AND CARE TOLERANCE / 5 (EXCEPT WHERE STATED )

This drawing is the property of Enware Australia Pty Ltd and may not be reproduced in full or part without the written consent of Enware Australia.

DRAWN	YK
CHECKED	RA
APPROVED	LR

**ENWARE**  
 9 Endeavour Rd,  
 Caringbah, NSW, 2229  
 Ph. +61 2 8536 4000  
 Email: info@enware.com.au

DRAWING NUMBER: EFE300	REV:C.0
DESCRIPTION: SS ECE W/MNT EYE FACE WSH HND OP	
FINISH:	SIZE: A4 SCALE: 1:5

A

B

C

D