

Emergency Eyewash Pedestal Mounted - Hand Operated

Enware's emergency eye/face wash units help to flush contaminants and irritants from eyes and facial area.

Designed and manufactured in Australia. Stainless steel construction provides superior durability and reliability.

EEE180

FEATURES

- Independently tested for compliance to ANSI Z358.1 and AS4775
- Freestanding for stand-alone operation
- Stainless steel bowl, stay-open ball valve and hand actuator
- Push activated eyewash with soft aerated flow and integral auto-open dust covers
- High visibility yellow coated push handle
- Eye/face wash features "Vertech™ Technology" where dedicated eyewash and independently angled face wash streams deliver optimum coverage
- Zero velocity apex point provides more comfort and control for effective cleansing of eyes
- Self-draining design reduces Legionella risk, particularly in tepid water applications

ADDITIONAL OPTIONS:

- Foot activation kit for eyewash activation - ESPE001
- Audio/Visual alarms for alerts
- Flow pressure and proximity switches to activate alarms & lights
- Thermal relief valve removes built-up hot water
- Insulation of pipe work to moderate water temperature build up
- Anti-freeze valve for cold weather climates help prevent water freezing
- NPT flange connectors
- Custom manufacturing & design
- Signage compliant to AS1319



Product Codes

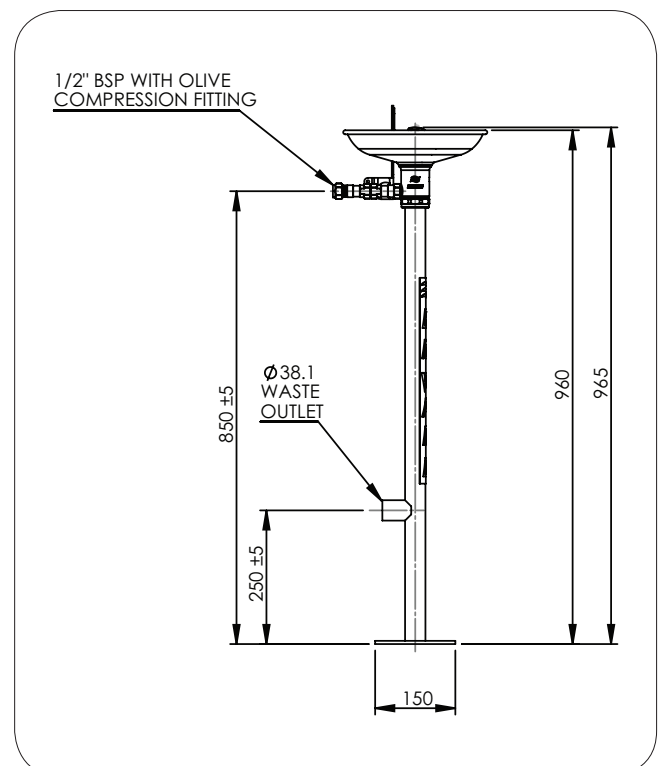
EEE180	Standard Brushed Stainless Steel Finish
EEE180GR	Green Powder Coated Finish
EEE180OR	Orange Powder Coated Finish
EEE180YE	Yellow Powder Coated Finish
EEE180WH	White Powder Coated Finish

Technical Information

Inlet Connection	15 mm (1/2") BSP
Water Supply Line Size	Must be hydraulically sized to meet requirements
Working Pressure	210 kPa Caution should be taken when pressure exceeds 550 kPa (80 psi)
Minimum Flow Requirements	Eye wash 17 lpm (4.5 US gpm) Eye/Face wash 26 lpm (6.9US gpm)
Waste Water Outlet Size	38 mm (1 1/2") OD

Installation of emergency showers, eye and eye/face wash equipment shall be in accordance with AS/NZS4775-2007 or ANSI Standard Z358.1 - whichever is applicable to the installation. Enware Australia advises:

- Due to ongoing Research and Development, specifications may change without notice.
- Component specifications may change on some export models.



Version: May 18

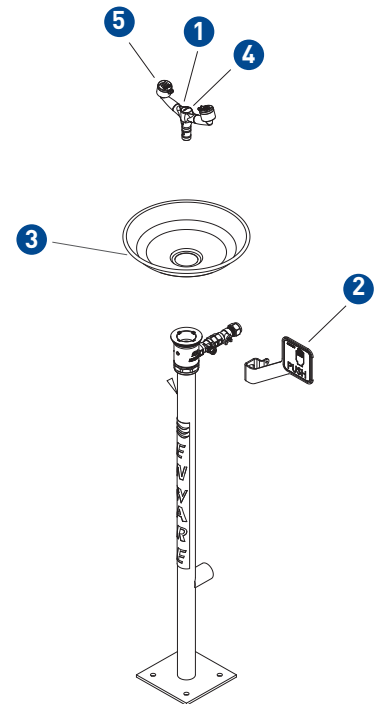
Call 1300 369 273
www.enware.com.au

Enware Australia Pty Limited
9 Endeavour Rd Caringbah NSW 2229 Australia
Ph: 02 8536 4000 info@enware.com.au



A range of spare parts are available to maintain equipment and replacement of damaged parts.

Description	Order Code
1 Eye and Eye/Face Wash Frame Only	ESPE002
2 Push Handle to suit Eye and Eye/Face Washes	ESPE010
3 Bowl only	ESPE008
4 Eye Wash Aerator and Washer	ESPE015
5 Eye wash outlet includes dustcovers & aerators (pair)	ESPE016



Call 1300 369 273
www.enware.com.au

Enware Australia Pty Limited
9 Endeavour Rd Caringbah NSW 2229 Australia
Ph: 02 8536 4000 info@enware.com.au