

Emergency Stainless Steel Combination Shower with Hand/Foot Operated Eye/Face Wash

Enware's emergency safety showers assist in the rapid flushing of contaminants from the body with a deluge of flushing fluid and eye/face wash units help to flush contaminants and irritants from eyes and facial area.

ECE270

Designed and manufactured in Australia. Stainless steel construction provides superior durability and reliability.

FEATURES

- Independently tested for compliance to ANSI Z358.1 and AS4775
- Freestanding for stand-alone operation stainless steel pipe work & stay-open ball valve
- Stainless steel 200mm (8") shower head assembly
- Stainless steel handle with high visibility yellow powder coating
- Push and foot activated eye/face wash with integral auto-open dust covers
- Self-draining design reduces Legionella risk, particularly in tepid water applications
- Eye/face wash features "Vertech™ Technology" where dedicated eyewash and independently angled face wash streams deliver optimum coverage
- Zero velocity apex point provides more comfort & control of eyes for effective cleansing
- Solid stainless, low angle foot pedal for easy activation of eye/face wash
- High visibility yellow powder coated push handle and foot pedal
- Balanced simultaneous operation

ADDITIONAL OPTIONS:

- Audio/Visual alarms for alerts
- Flow pressure & proximity switches to activate alarms and lights
- Thermal relief valve removes built-up hot water
- Insulation of pipe work to moderate water temperature build up
- Anti-freeze valve for cold weather climates - helps prevent water freezing
- NPT flange connectors
- Custom manufacturing & design
- Signage compliant to AS1319



Product Codes

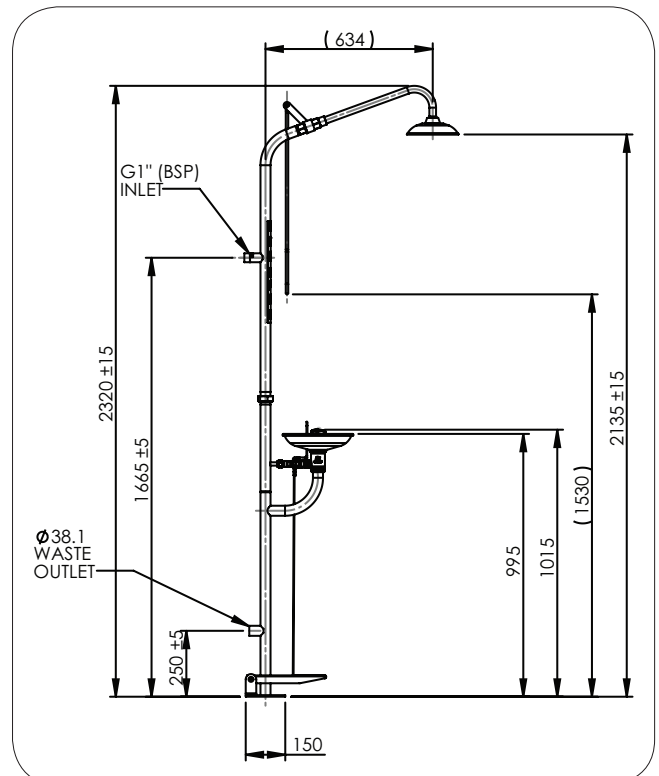
| | |
|-----------------|---|
| ECE270 | Standard Brushed Stainless Steel Finish |
| ECE270GR | ■ Green Powder Coated Finish |
| ECE270OR | ■ Orange Powder Coated Finish |
| ECE270YE | ■ Yellow Powder Coated Finish |
| ECE270WH | ■ White Powder Coated Finish |

Technical Information

| | |
|----------------------------------|---|
| Inlet Connection | 25 mm (1") BSP |
| Water Supply Line Size | Must be hydraulically sized to meet requirements. |
| Minimum Performance Requirements | 210 kPa Caution should be taken when pressure exceeds 550 kPa (80 psi) |
| Minimum Flow Requirements | Shower: 76 lpm (20 US gpm) Eye/ face wash: 26 lpm (6.9 US gpm) |
| Waste Water Outlet Size | 38 mm (1 1/2") OD |
| Mounting Base Plate Size | 150 x 150 mm (5 9/10" x 5 9/10") with 4 Bolt Holes 11 mm (7/16") |
| Weight | approx. 12.7kg |
| Dimensions | 1160 x 300 x 250 mm |

Installation of emergency showers, eye and eye/face wash equipment shall be in accordance with AS/NZS4775 or ANSI Standard Z358.1 - whichever is applicable to the installation. Enware Australia advises:

1. Due to ongoing Research and Development, specifications may change without notice.
2. Component specifications may change on some export models.



Version: Apr 19

Call 1300 369 273
www.enware.com.au

Enware Australia Pty Limited
9 Endeavour Rd Caringbah NSW 2229 Australia
Ph: 02 8536 4000 info@enware.com.au



A range of spare parts are available to maintain equipment and replacement of damaged parts.

| Description | Order Code |
|---|----------------|
| 1 Eye and Eye/Face Wash Frame Only | ESPE815 |
| 2 Push Handle to suit Eye and Eye/Face Washes | ESPE010 |
| 3 Pull handle to activate shower | ESPE009 |
| 4 Shower arm and rose | ESPE005 |
| 5 Bowl only | ESPE008 |
| 6 Foot operation conversion kit for Eye & Eye/Face Wash | ESPE001 |
| 7 Eye/Face Wash outlet includes dustcover & aerator (each) | ESPE012 |
| 8 Aerator to suit Eye/Face Wash only | ESPE013 |

