

## 850.110.050 S REDUCER ECCENTRIC

-Diameter: Ø110mm to Ø50mm  
-Stainless steel: AISI316L/EN1.4404

### Product Codes

UPC/EAN: 5705499403183

VVS Number:

RSK Number: 1550391

NRF Number: 2172695

LVI Number: 0252358

### Specification

Brand Name: BLÜCHER

Material: AISI 316L

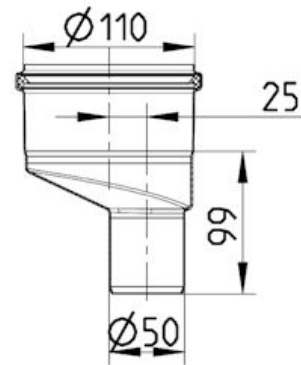
Material (EN): EN 1.4404

Outlet Diameter (mm): 50

Series: Reducer-eccentric

Type: Reducers

Weight (kg): 0,50



**BLÜCHER®**

A WATTS Brand