

766.503.110 S INDUSTRIAL DRAIN, LOW

- Floor: resin
- Frame: Ø305mm
- Outlet: Ø110mm, vertical
- Stainless steel: AISI316L/EN1.4404

Product Codes

UPC/EAN: 5705499110517

VVS Number: 153003316

RSK Number:

NRF Number:

LVI Number: 3303588

Specification

Adjustable: No

Brand Name: BLÜCHER

Floor: Resin

Material: AISI 316L

Material (EN): EN 1.4404

Membrane Type: No membrane

Minimum Height (mm): 278

Number of Inlets: 0

Number of Screw Holes: 0

Outlet Diameter (mm): 110

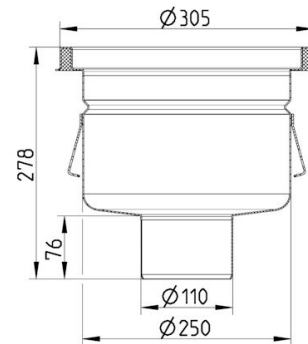
Outlet Direction: Vertical

Series: Drain-No membrane-305

Shape: Round

Size: Ø295

Weight (kg): 5,06



BLÜCHER®

A WATTS Brand