

766.403.110 S INDUSTRIAL DRAIN, LOW

- Floor: concrete and tiled
- No membrane, frame: 300x300mm
- Outlet: Ø110mm, vertical
- Stainless steel: AISI316L/EN1.4404

Product Codes

UPC/EAN: 5705499110371

VVS Number: 153002316

RSK Number:

NRF Number:

LVI Number: 3303567

Specification

Adjustable: No

Brand Name: BLÜCHER

Floor: Concrete/tiled

Material: AISI 316L

Material (EN): EN 1.4404

Membrane Type: No membrane

Minimum Height (mm): 289

Number of Inlets: 0

Number of Screw Holes: 0

Outlet Diameter (mm): 110

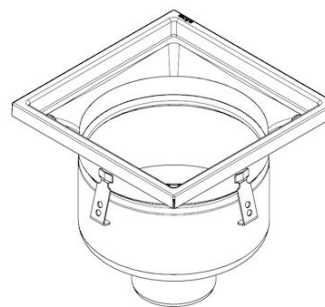
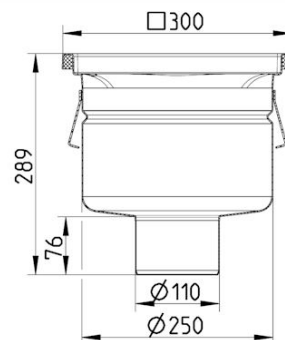
Outlet Direction: Vertical

Series: Drain-No membrane-300

Shape: Square

Size: 300x300

Weight (kg): 4,75



BLÜCHER®

A WATTS Brand