

756.503.110 S HYGIENICPRO INDUSTRIAL DRAIN, MEDIUM

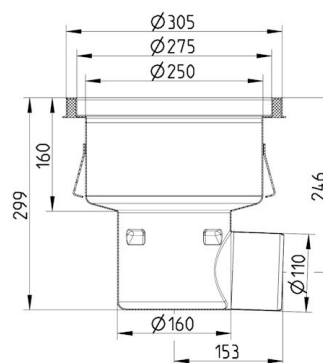
- Floor: concrete, tiled and resin
- No membrane, frame: Ø305mm
- Outlet: Ø110mm, horizontal
- Stainless steel: AISI316L/EN1.4404

Product Codes

UPC/EAN: 5705499137859
VVS Number: 153043417
RSK Number:
NRF Number:
LVI Number: 3305607

Specification

Adjustable: No
Brand Name: BLÜCHER
Floor: Concrete/tiled/resin
Material: AISI 316L
Material (EN): EN 1.4404
Membrane Type: No membrane
Minimum Height (mm): 299
Number of Inlets: 0
Number of Screw Holes: 0
Outlet Diameter (mm): 110
Outlet Direction: Horizontal
Series: Drain-No membrane-305
Shape: Round
Size: Ø300
Type: Drains
Weight (kg): 4,37



BLÜCHER®

A WATTS Brand