

## 755.513.110 S HYGIENICPRO INDUSTRIAL DRAIN, LOW

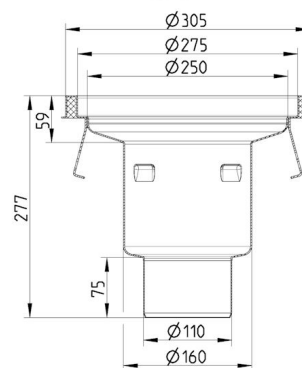
- Floor: concrete, tiled and resin
- No membrane, frame: Ø305mm
- Outlet: Ø110mm, vertical
- Stainless steel: AISI316L/EN1.4404

### Product Codes

UPC/EAN: 5705499137811  
VVS Number: 153041416  
RSK Number:  
NRF Number:  
LVI Number: 3305603

### Specification

Adjustable: No  
Brand Name: BLÜCHER  
Floor: Concrete/tiled/resin  
Material: AISI 316L  
Material (EN): EN 1.4404  
Membrane Type: No membrane  
Minimum Height (mm): 275  
Number of Inlets: 0  
Number of Screw Holes: 0  
Outlet Diameter (mm): 110  
Outlet Direction: Vertical  
Series: Drain-No membrane-305  
Shape: Round  
Size: Ø300  
Type: Drains  
Weight (kg): 3,40



**BLÜCHER®**

A WATTS Brand