

670.000.020 HYGIENICPRO TILE ADAPTOR END OUTLET

-For channel with end outlet in tiles

-Stainless steel: AISI304/EN1.4301

Product Codes

UPC/EAN: 5705499137989

VVS Number: 164130200

RSK Number:

NRF Number:

LVI Number: 3305617

Specification

Brand Name: BLÜCHER

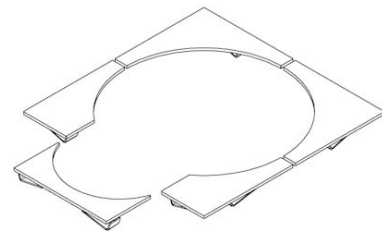
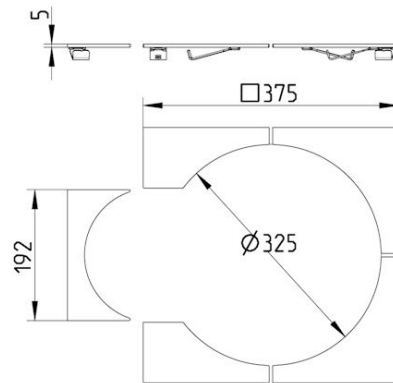
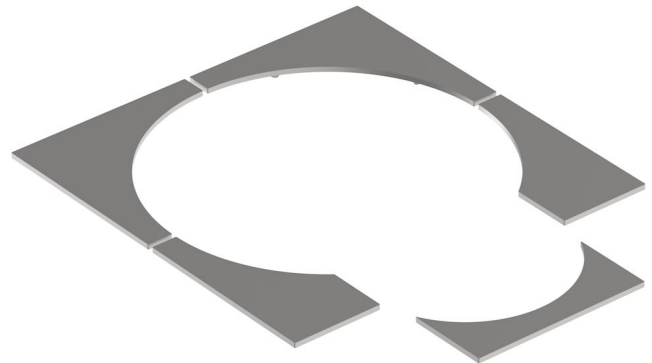
Material: AISI 304

Material (EN): EN 1.4301

Series: Special accessories

Type: Other products

Weight (kg): 2,34



BLÜCHER®

A WATTS Brand