

# Specification Sheet

## 505.040.050 S BOTTLE WATER TRAP, Ø1½"/50MM

-Water seal height = 75mm

-Stainless steel: AISI316L/EN1.4404

### Product Codes

UPC/EAN: 5705499101454

VVS Number:

RSK Number: 1550259

NRF Number: 3395039

LVI Number:

### Specification

Brand Name: BLÜCHER

Material: AISI 316L

Material (EN): EN 1.4404

Minimum Height (mm): 233

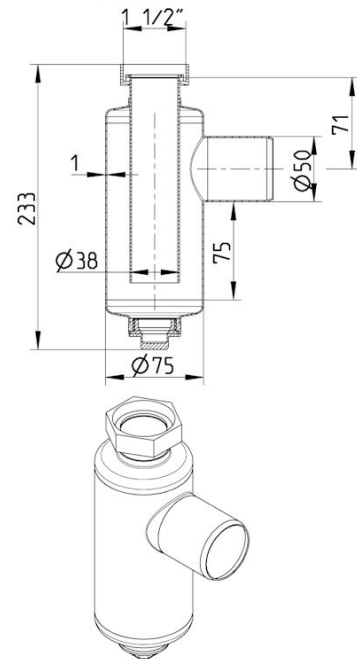
Outlet Diameter (mm): 50

Series: Water trap-hand wash

Type: Traps

Water Seal Height (mm): 75

Weight (kg): 0,85



**BLÜCHER®**

A WATTS Brand